



## Assembly Language: Overview

1

---

---

---

---

---

---

---

---



## Goals of this Lecture

- Help you learn:
  - The basics of computer architecture
  - The relationship between C and assembly language
  - IA-32 assembly language, through an example

2

---

---

---

---

---

---

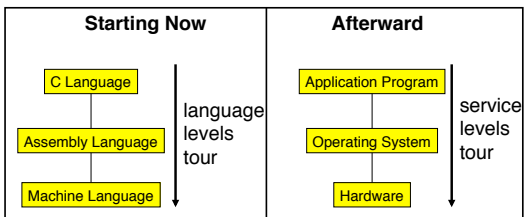
---

---



## Context of this Lecture

Second half of the course



3

---

---

---

---

---

---

---

---



## Three Levels of Languages

4

---

---

---

---

---

---

---

---



## High-Level Language

- Make programming easier by describing operations in a semi-natural language
- Increase the portability of the code
- One line may involve many low-level operations
- Examples: C, C++, Java, Pascal, ...

```
count = 0;
while (n > 1) {
  count++;
  if (n & 1)
    n = n*3 + 1;
  else
    n = n/2;
}
```

5

---

---

---

---

---

---

---

---



## Assembly Language

- Tied to the specifics of the underlying machine
- Commands and names to make the code readable and writeable by humans
- Hand-coded assembly code may be more efficient
- E.g., IA-32 from Intel

```
movl $0, %ecx
loop:
  cmpl $1, %edx
  jle  endloop
  addl $1, %ecx
  movl %edx, %eax
  andl $1, %eax
  je   else
  movl %edx, %eax
  addl %eax, %edx
  addl %eax, %edx
  addl $1, %edx
  jmp  endif
else:
  sarl $1, %edx
endif:
  jmp  loop
endloop:
```

6

---

---

---

---

---

---

---

---

## Machine Language



- Also tied to the underlying machine
- What the computer sees and deals with
- Every instruction is a sequence of one or more numbers
- All stored in memory on the computer, and read and executed
- Unreadable by humans

```
0000 0000 0000 0000 0000 0000 0000 0000
0000 0000 0000 0000 0000 0000 0000 0000
9222 9120 1121 A120 1121 A121 7211 0000
0000 0001 0002 0003 0004 0005 0006 0007
0008 0009 000A 000B 000C 000D 000E 000F
0000 0000 0000 FE10 FACE CAF6 ACED CEDE

1234 5678 9ABC DEF0 0000 0000 F00D 0000
0000 0000 EEEE 1111 EEEE 1111 0000 0000
B1B2 F1F5 0000 0000 0000 0000 0000 0000
```

7

---

---

---

---

---

---

---

---

## Why Learn Assembly Language?



- Write faster code (even in high-level language)
  - By understanding which high-level constructs are better
  - ... in terms of how efficient they are at the machine level
- Understand how things work underneath
  - Learn the basic organization of the underlying machine
  - Learn how the computer actually runs a program
  - Design better computers in the future
- Some software is still written in assembly language
  - Code that really needs to run quickly
  - Code for embedded systems, network processors, etc.

8

---

---

---

---

---

---

---

---

## Why Learn Intel IA-32 Assembly?



- Program natively on our computing platform
  - Rather than using an emulator to mimic another machine
- Learn instruction set for the most popular platform
  - Most likely to work with Intel platforms in the future
- But, this comes at some cost in complexity
  - IA-32 has a large and varied set of instructions
  - More instructions than are really useful in practice
- Fortunately, you won't need to use everything

9

---

---

---


---

---

---

---

---



## Computer Architecture

10

---

---

---

---


---

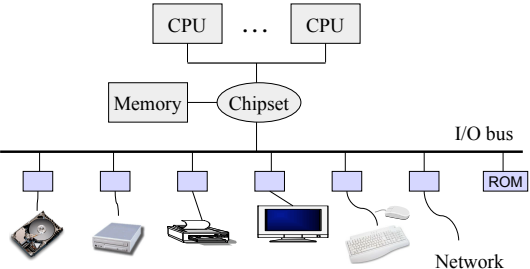
---

---

---

### A Typical Computer





11

---

---

---

---


---

---

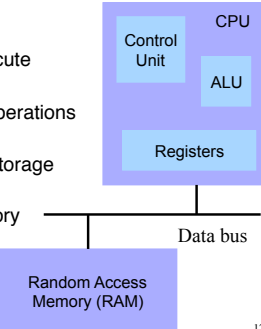
---

---

### Von Neumann Architecture



- **Central Processing Unit**
  - Control unit
    - Fetch, decode, and execute
  - Arithmetic and logic unit
    - Execution of low-level operations
  - General-purpose registers
    - High-speed temporary storage
- Data bus
  - Provide access to memory



12

---

---

---

---

---

---

---

---

## Von Neumann Architecture

- **Memory**
  - Store executable machine-language instructions (text section)
  - Store data (rodata, data, bss, heap, and stack sections)

The diagram illustrates the Von Neumann Architecture. On the left, a vertical stack of memory sections is shown: TEXT, RODATA, DATA, BSS, HEAP, and STACK. The STACK section is at the bottom, with an upward arrow indicating growth. On the right, the CPU is shown as a purple box containing the Control Unit, ALU, and Registers. Below the CPU is the Random Access Memory (RAM), connected to the CPU via a Data bus.

---

---

---

---

---

---

---

---

## Control Unit: Instruction Pointer

- Stores the location of the next instruction
  - Address to use when reading machine-language instructions from memory (i.e., in the text section)
- Changing the instruction pointer (EIP)
  - Increment to go to the next instruction
  - Or, load a new value to “jump” to a new location

The diagram shows a blue box labeled 'EIP' on the left. An arrow points from the EIP box to a vertical stack of five blue boxes representing memory locations.

---

---

---

---

---

---

---

---

## Control Unit: Instruction Decoder

- Determines what operations need to take place
  - Translate the machine-language instruction
- Control what operations are done on what data
  - E.g., control what data are fed to the ALU
  - E.g., enable the ALU to do multiplication or addition
  - E.g., read from a particular address in memory

The diagram shows the ALU as a yellow trapezoidal shape. It has two input arrows at the top labeled 'src1' and 'src2'. An input arrow on the left is labeled 'operation'. An output arrow on the right is labeled 'flag/carry'. An output arrow at the bottom is labeled 'dst'.

---

---

---

---

---

---

---

---

## Registers



- Small amount of storage on the CPU
  - Can be accessed more quickly than main memory
- Instructions move data in and out of registers
  - Loading registers from main memory
  - Storing registers to main memory
- Instructions manipulate the register contents
  - Registers essentially act as temporary variables
  - For efficient manipulation of the data
- Registers are the top of the memory hierarchy
  - Ahead of main memory, disk, tape, ...

16

---

---

---

---

---

---

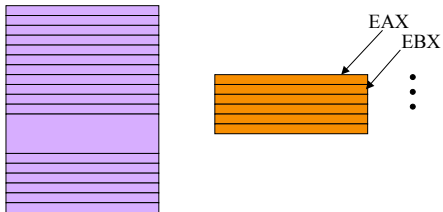
---

---

## Keeping it Simple: All 32-bit Words



- Simplifying assumption: all data in four-byte units
  - Memory is 32 bits wide
  - Registers are 32 bits wide



- In practice, can manipulate different sizes of data

17

---

---

---

---

---

---

---

---

## C Code vs. Assembly Code



18

---

---

---

---

---

---

---

---

## Kinds of Instructions



```
count = 0;
while (n > 1) {
    count++;
    if (n & 1)
        n = n*3 + 1;
    else
        n = n/2;
}
```

- Reading and writing data
  - count = 0
  - n
- Arithmetic and logic operations
  - Increment: count++
  - Multiply: n \* 3
  - Divide: n/2
  - Logical AND: n & 1
- Checking results of comparisons
  - Is (n > 1) true or false?
  - Is (n & 1) non-zero or zero?
- Changing the flow of control
  - To the end of the while loop (if "n > 1")
  - Back to the beginning of the loop
  - To the else clause (if "n & 1" is 0)

19

---

---

---

---

---

---

---

---

## Variables in Registers



```
count = 0;
while (n > 1) {
    count++;
    if (n & 1)
        n = n*3 + 1;
    else
        n = n/2;
}
```

### Registers

n %edx  
count %ecx

Referring to a register: percent sign ("%")

20

---

---

---

---

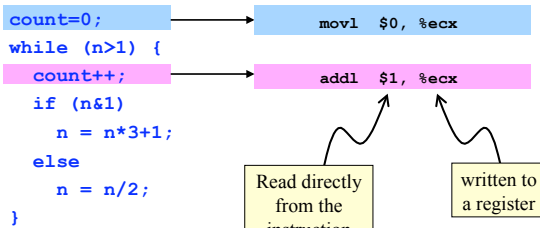
---

---

---

---

## Immediate and Register Addressing



Referring to an immediate operand: dollar sign ("\$")

21

---

---

---

---

---

---

---

---

## Immediate and Register Addressing



```
count=0;
while (n>1) {
  count++;
  if (n&1)
    n = n*3+1;
  else
    n = n/2;
}
```

```
movl %edx, %eax
andl $1, %eax
```

Computing intermediate value in register EAX

22

---

---

---

---

---

---

---

---

## Immediate and Register Addressing



```
count=0;
while (n>1) {
  count++;
  if (n&1)
    n = n*3+1;
  else
    n = n/2;
}
```

```
movl %edx, %eax
addl %eax, %edx
addl %eax, %edx
addl $1, %edx
```

Adding n twice is cheaper than multiplication!

23

---

---

---

---

---

---

---

---

## Immediate and Register Addressing



```
count=0;
while (n>1) {
  count++;
  if (n&1)
    n = n*3+1;
  else
    n = n/2;
}
```

```
sarl $1, %edx
```

Shifting right by 1 bit is cheaper than division!

24

---

---

---

---

---

---

---

---



## Changing Program Flow



```
count=0;
while (n>1) {
    count++;
    if (n&1)
        n = n*3+1;
    else
        n = n/2;
}
```

- Cannot simply run next instruction
  - Check result of a previous operation
  - Jump to appropriate next instruction
- Flags register (EFLAGS)
  - Stores the status of operations, such as comparisons, as a side effect
  - E.g., last result was positive, negative, zero, etc.
- Jump instructions
  - Load new address in instruction pointer
- Example jump instructions
  - Jump unconditionally (e.g., "j")
  - Jump if zero (e.g., "jz")
  - Jump if greater/less (e.g., "jg")

25

---

---

---

---

---

---

---

---

## Conditional and Unconditional Jumps



- Comparison `cmpl` compares two integers
  - Done by subtracting the first number from the second
    - Discarding the results, but setting flags as a side effect
  - Example:
    - `cmpl $1, %edx` (computes `%edx - 1`)
    - `jle endloop` (checks whether result was 0 or negative)
- Logical operation `andl` compares two integers
  - Example:
    - `andl $1, %eax` (bit-wise AND of `%eax` with 1)
    - `je else` (checks whether result was 0)
- Also, can do an unconditional branch `jmp`
  - Example:
    - `jmp endif` and `jmp loop`

26

---

---

---

---

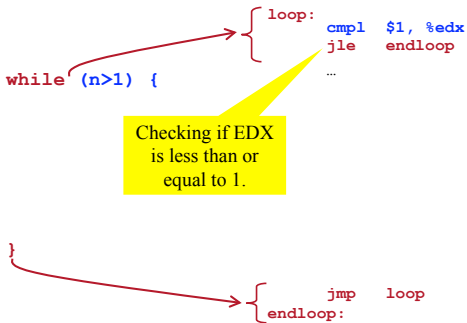
---

---

---

---

## Jump and Labels: While Loop



27

---

---

---

---

---

---

---

---

## Jump and Labels: While Loop



```

count=0;
while (n>1) {
    count++;
    if (n&1)
        n = n*3+1;
    else
        n = n/2;
}

```

```

loop:
    movl $0, %ecx
    cmpl $1, %edx
    jle endloop
    addl $1, %ecx
    movl %edx, %eax
    andl $1, %eax
    je else
    movl %edx, %eax
    addl %eax, %edx
    addl %eax, %edx
    addl $1, %edx
    jmp endif
else:
    sarl $1, %edx
endif:
    jmp loop
endloop:

```

28

---

---

---

---

---

---

---

---

## Jump and Labels: If-Then-Else



```

if (n&1)
    ...
else
    ...

```

```

    movl %edx, %eax
    andl $1, %eax
    je else
    ...
else:
    jmp endif
endif:

```

“then” block

“else” block

29

---

---

---

---

---

---

---

---

## Jump and Labels: If-Then-Else



```

count=0;
while(n>1) {
    count++;
    if (n&1)
        n = n*3+1;
    else
        n = n/2;
}

```

```

loop:
    movl $0, %ecx
    cmpl $1, %edx
    jle endloop
    addl $1, %ecx
    movl %edx, %eax
    andl $1, %eax
    je else
    movl %edx, %eax
    addl %eax, %edx
    addl %eax, %edx
    addl $1, %edx
    jmp endif
else:
    sarl $1, %edx
endif:
    jmp loop
endloop:

```

“then” block

“else” block

30

---

---

---

---

---

---

---

---

## Making the Code More Efficient...



```

count=0;
while(n>1) {
    count++;
    if (n&1)
        n = n*3+1;
    else
        n = n/2;
}

loop:    movl $0, %ecx
        cmpl $1, %edx
        jle endloop
        addl $1, %ecx
        movl %edx, %eax
        andl $1, %eax
        je else
        movl %edx, %eax
        addl %eax, %edx
        addl %eax, %edx
        addl $1, %edx
        jmp endif
else:   sarl $1, %edx
endif:  jmp loop
endloop:

```

Replace with  
"jmp loop"

31

---

---

---

---

---

---

---

---

## Complete Example

n %edx  
count %ecx



```

count=0;
while (n>1) {
    count++;
    if (n&1)
        n = n*3+1;
    else
        n = n/2;
}

loop:    movl $0, %ecx
        cmpl $1, %edx
        jle endloop
        addl $1, %ecx
        movl %edx, %eax
        andl $1, %eax
        je else
        movl %edx, %eax
        addl %eax, %edx
        addl %eax, %edx
        addl $1, %edx
        jmp endif
else:   sarl $1, %edx
endif:  jmp loop
endloop:

```

32

---

---

---

---

---

---

---

---

## Reading IA-32 Assembly Language



- Referring to a register: percent sign ("%")
  - E.g., "%ecx" or "%eip"
- Referring to immediate operand: dollar sign ("\$")
  - E.g., "\$1" for the number 1
- Storing result: typically in the second argument
  - E.g. "addl \$1, %ecx" increments register ECX
  - E.g., "movl %edx, %eax" moves EDX to EAX
- Assembler directives: starting with a period (".")
  - E.g., ".section .text" to start the text section of memory
- Comment: pound sign ("#")
  - E.g., "# Purpose: Convert lower to upper case"

33

---

---

---

---

---

---

---

---

## Conclusions



- **Assembly language**
  - In between high-level language and machine code
  - Programming the “bare metal” of the hardware
  - Loading and storing data, arithmetic and logic operations, checking results, and changing control flow
- **To get more familiar with IA-32 assembly**
  - Read more assembly-language examples
    - Chapter 3 of Bryant and O'Hallaron book
  - Generate your own assembly-language code
    - `gcc217 -S -O2 code.c`

34

---

---

---

---

---

---

---

---